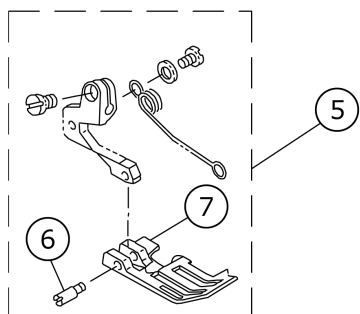
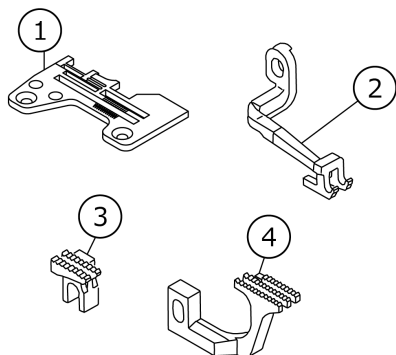


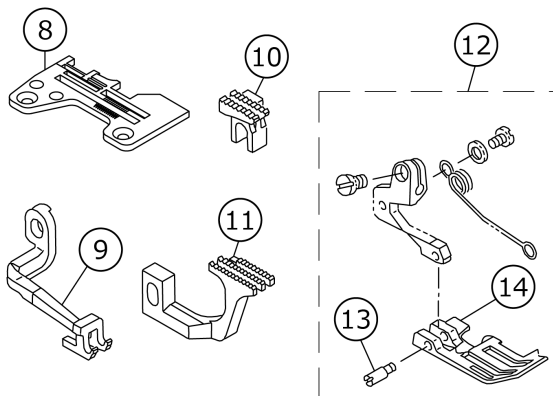
MOR-3900 SUBCLASSES/MOR-3914

MOR-3900 SUBCLASSES (1)

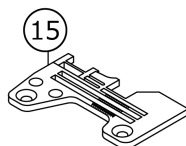
MOR-3914-BD4-307
MOR-3914E-BD4-307



MOR-3914-BE4-307
MOR-3914E-BE4-307



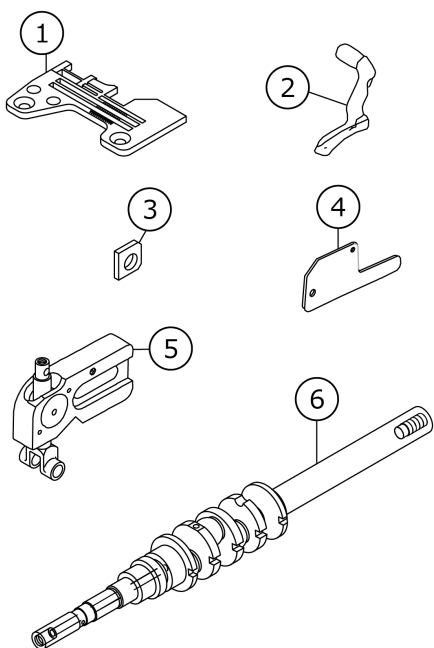
MOR-3914-BD6-307
MOR-3914E-BD6-307



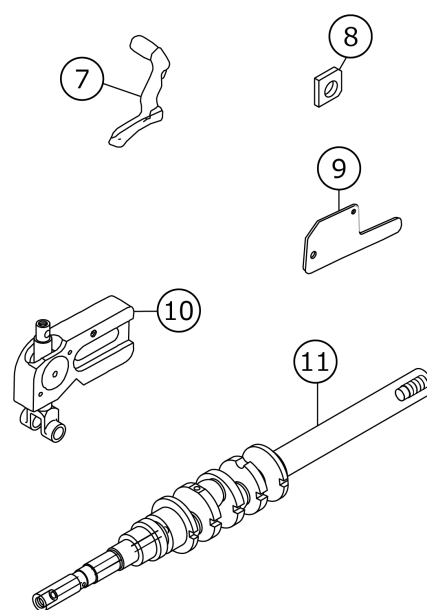
No.	品番	品名	備考	子部品	消耗品	個数
1	R4205J0DE00	THROAT PLATE				1.00
2	11936705	TOP FEED DOG				1.00
3	11597101	MAIN FEED DOG				1.00
4	B1657814B0E	DIFFERENTIAL FEED DOG				1.00
5	11932357	PRESSER FOOT ASM.				1.00
6	11930500	PRESSER FOOT HINGE PIN		*		1.00
7	11926201	PRESSER FOOT		*		1.00
8	R4205J0EE00	THROAT PLATE				1.00
9	11936705	TOP FEED DOG				1.00
10	11597101	MAIN FEED DOG				1.00
11	B1657814B0E	DIFFERENTIAL FEED DOG				1.00
12	11932357	PRESSER FOOT ASM.				1.00
13	11930500	PRESSER FOOT HINGE PIN		*		1.00
14	11926201	PRESSER FOOT		*		1.00
15	R4305J0DE00	THROAT PLATE				1.00

MOR-3900 SUBCLASSES (2)

MOR-3914-BD6-40H
MOR-3914E-BD6-40H



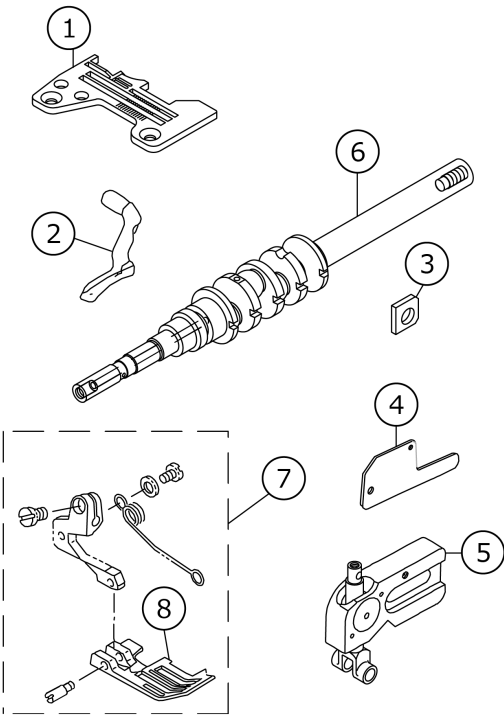
MOR-3914-BE6-40H
MOR-3914E-BE6-40H



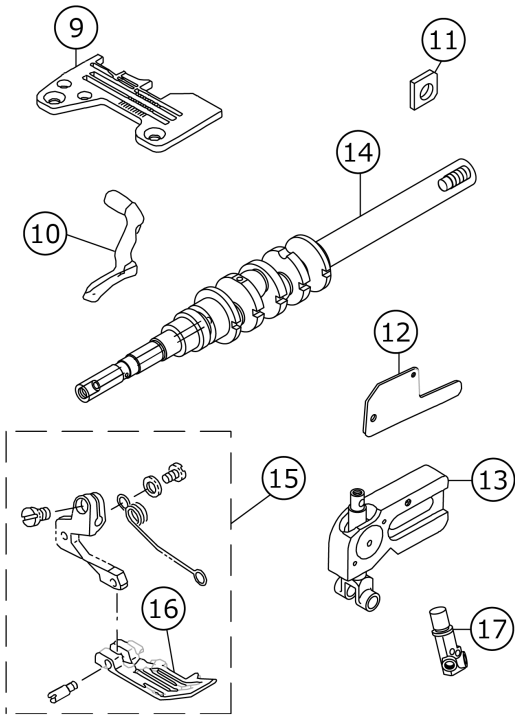
No.	品番	品名	備考	子部品	消耗品	個数
1	R4305J0DE00	THROAT PLATE				1.00
2	12176103	UPPER LOOPER				1.00
3	11991809	GAUGE				1.00
4	11991601	UPPER LOOPER GUIDE COVER				1.00
5	12123055	UPPER LOOPER GUIDE ASM.				1.00
6	12303103	MAIN SHAFT				1.00
7	12176103	UPPER LOOPER				1.00
8	11991809	GAUGE				1.00
9	11991601	UPPER LOOPER GUIDE COVER				1.00
10	12123055	UPPER LOOPER GUIDE ASM.				1.00
11	12303103	MAIN SHAFT				1.00

MOR-3900 SUBCLASSES (3)

MOR-3914-BF6-40H
MOR-3914E-BF6-40H



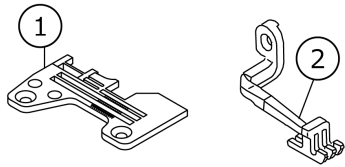
MOR-3914-CE6-40H
MOR-3914E-CE6-40H



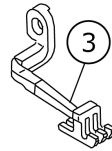
No.	品番	品名	備考	子部品	消耗品	個数
1	R4305J0FE00	THROAT PLATE				1.00
2	12176103	UPPER LOOPER				1.00
3	11991809	GAUGE				1.00
4	11991601	UPPER LOOPER GUIDE COVER				1.00
5	12123055	UPPER LOOPER GUIDE ASM.				1.00
6	12303103	MAIN SHAFT				1.00
7	11932654	PRESSER FOOT ASM.				1.00
8	11926508	PRESSER FOOT		*		1.00
9	R4306J0EE00	THROAT PLATE				1.00
10	12176103	UPPER LOOPER				1.00
11	11991809	GAUGE				1.00
12	11991601	UPPER LOOPER GUIDE COVER				1.00
13	12123055	UPPER LOOPER GUIDE ASM.				1.00
14	12303103	MAIN SHAFT				1.00
15	11942653	PRESSER FOOT ASM.				1.00
16	11942604	PRESSER FOOT		*		1.00
17	12149209	NEEDLE CLAMP, 2-NEEDLE				1.00

MOR-3900 SUBCLASSES (4)

MOR-3914-BD6-327
MOR-3914E-BD6-327



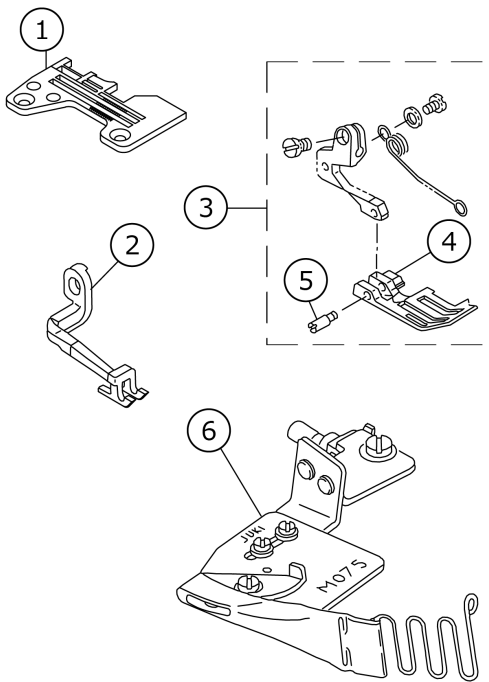
MOR-3914-BE6-327
MOR-3914E-BE6-327



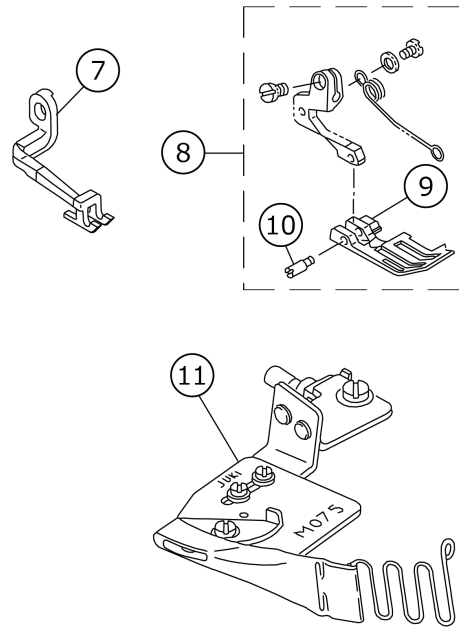
No.	品番	品名	備考	子部品	消耗品	個数
1	R4305J0DE00	THROAT PLATE				1.00
2	12330304	UPPER FEED DOG				1.00
3	12330304	UPPER FEED DOG				1.00

MOR-3900 SUBCLASSES (5)

MOR-3914-BD6-337/M075
MOR-3914E-BD6-337/M075



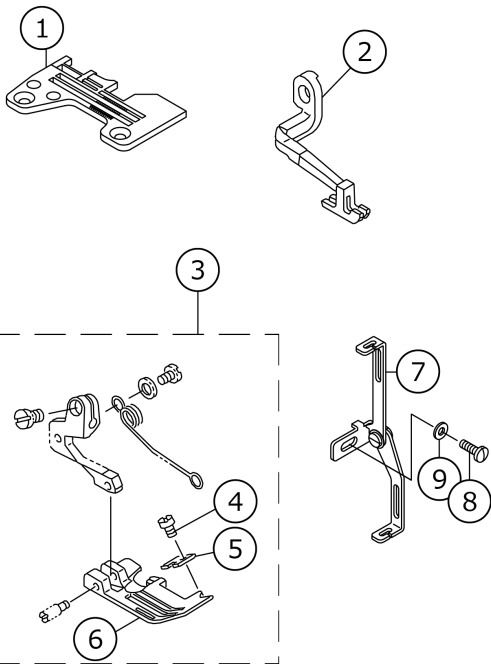
MOR-3914-BE6-337/M075
MOR-3914E-BE6-337/M075



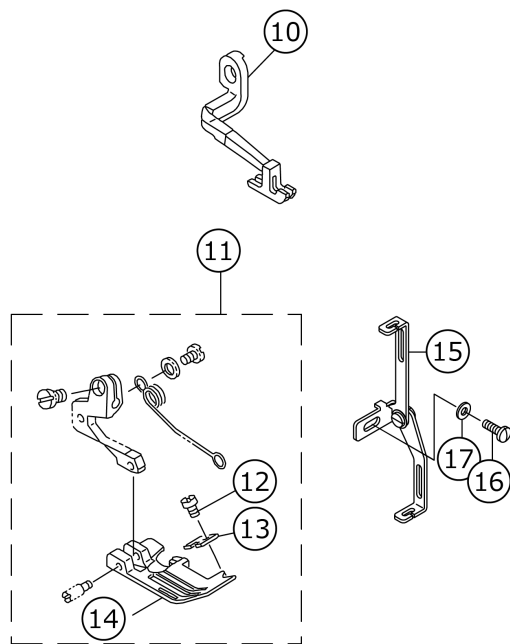
No.	品番	品名	備考	子部品	消耗品	個数
1	R4305J0DE00	THROAT PLATE				1.00
2	11937901	TOP FEED DOG				1.00
3	11934155	PRESSER FOOT ASM.				1.00
4	11927506	PRESSER FOOT		*		1.00
5	11930500	PRESSER FOOT HINGE PIN		*		1.00
6	MAM0750J0A0	PIPING FOLDER ASM. 9MM				1.00
7	11937901	TOP FEED DOG				1.00
8	11934155	PRESSER FOOT ASM.				1.00
9	11927506	PRESSER FOOT		*		1.00
10	11930500	PRESSER FOOT HINGE PIN		*		1.00
11	MAM0750J0A0	PIPING FOLDER ASM. 9MM				1.00

MOR-3900 SUBCLASSES (6)

MOR-3914-BD6-347/L01/Q141
MOR-3914E-BD6-347/L01/Q141



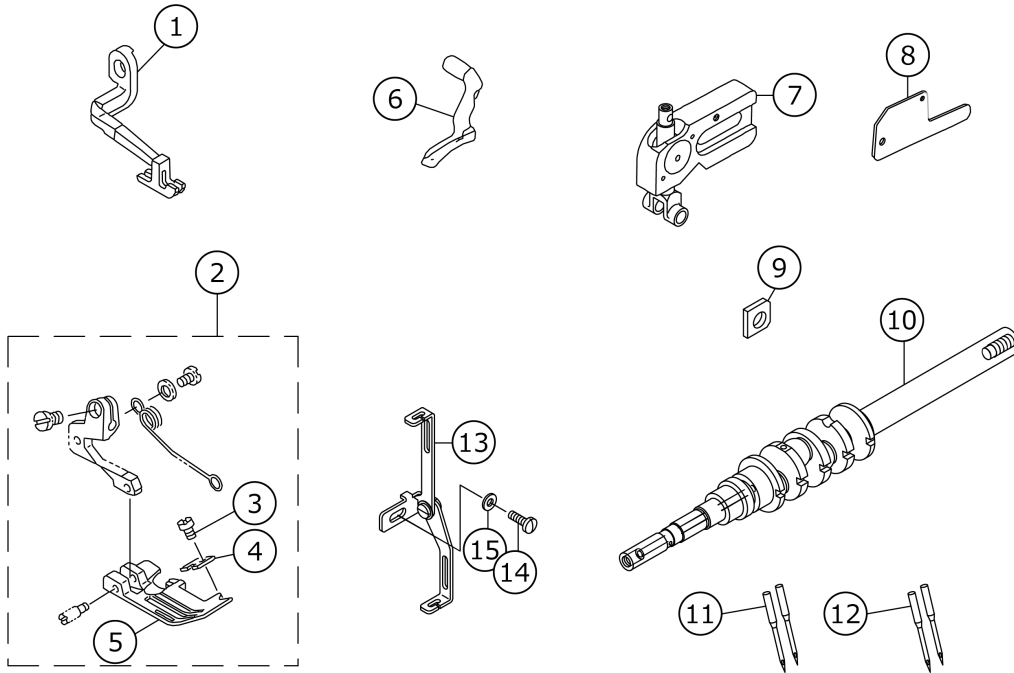
MOR-3914-BE6-347/L01/Q141
MOR-3914E-BE6-347/L01/Q141



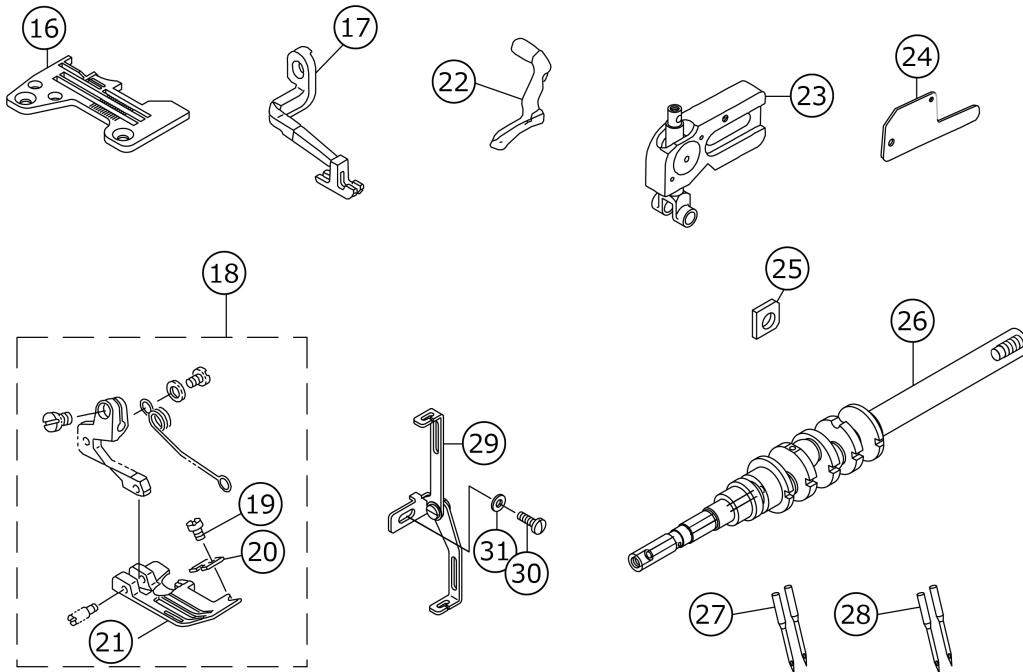
No.	品番	品名	備考	子部品	消耗品	個数
1	R4305J0DE00	THROAT PLATE				1.00
2	11939204	TOP FEED DOG (M01)				1.00
3	11934551	PRESSER FOOT ASM.(L01)				1.00
4	SS7060310SP	SCREW 3/32-56 L=3		*		1.00
5	11931805	TAPE GUIDE PLATE		*		1.00
6	11927902	PRESSER FOOT		*		1.00
7	MAQ141000A0	TAPE GUIDE ASM.				1.00
8	SS7091110TP	SCREW 9/64-40 L=10.5				1.00
9	WP0371016SD	WASHER 3.7X8X1				1.00
10	11939204	TOP FEED DOG (M01)				1.00
11	11934551	PRESSER FOOT ASM.(L01)				1.00
12	SS7060310SP	SCREW 3/32-56 L=3		*		1.00
13	11931805	TAPE GUIDE PLATE		*		1.00
14	11927902	PRESSER FOOT		*		1.00
15	MAQ141000A0	TAPE GUIDE ASM.				1.00
16	SS7091110TP	SCREW 9/64-40 L=10.5				1.00
17	WP0371016SD	WASHER 3.7X8X1				1.00

MOR-3900 SUBCLASSES (7)

MOR-3914-BE6-44H/L01/Q141
MOR-3914E-BE6-44H/L01/Q141



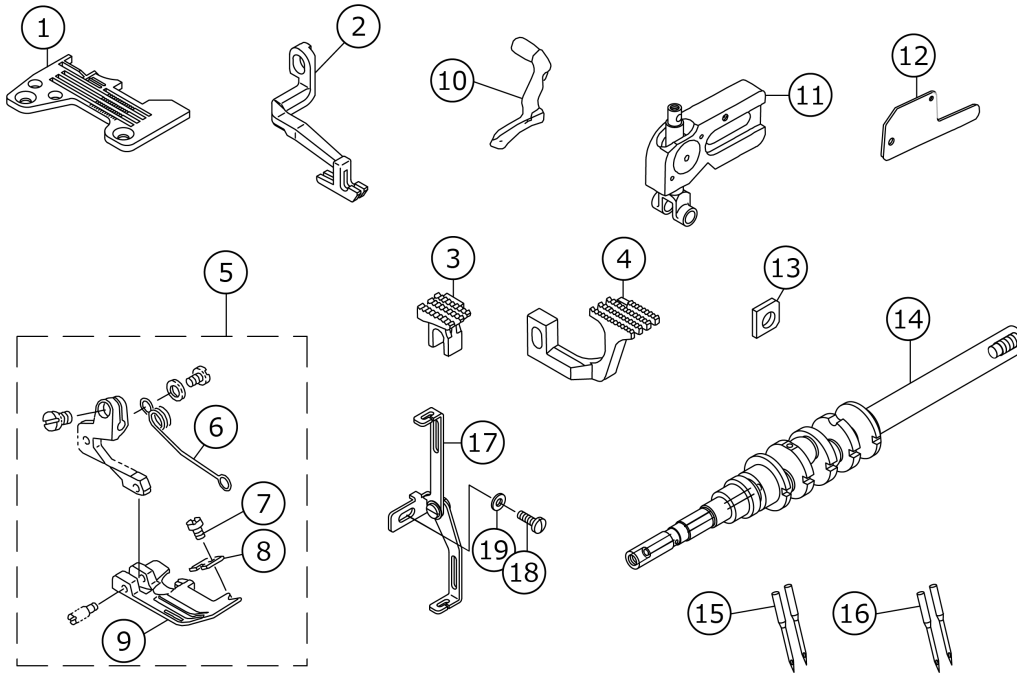
MOR-3914-BF6-44H/L01/Q141
MOR-3914E-BF6-44H/L01/Q141



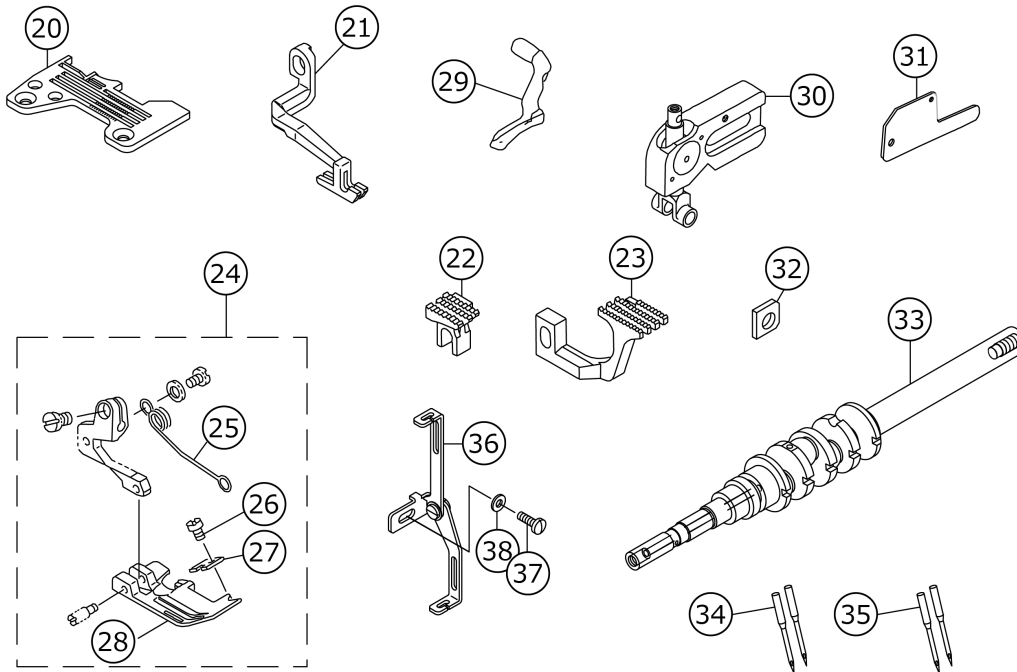
No.	品番	品名	備考	子部品	消耗品	個数
1	11939204	TOP FEED DOG (M01)				1.00
2	11934551	PRESSER FOOT ASM.(L01)				1.00
3	SS7060310SP	SCREW 3/32-56 L=3		*		1.00
4	11931805	TAPE GUIDE PLATE		*		1.00
5	11927902	PRESSER FOOT		*		1.00
6	12176103	UPPER LOOPER				1.00
7	12123055	UPPER LOOPER GUIDE ASM.				1.00
8	11991601	UPPER LOOPER GUIDE COVER				1.00
9	11991809	GAUGE				1.00
10	12303103	MAIN SHAFT				1.00
11	MDC270B1400	NEEDLE DCX27 #14				2.00
12	MC033600900	NEEDLE B-27 NM90	FOR JE			2.00
13	MAQ141000A0	TAPE GUIDE ASM.				1.00
14	SS7091110TP	SCREW 9/64-40 L=10.5				1.00
15	WP0371016SD	WASHER 3.7X8X1				1.00
16	R4305J0FE00	THROAT PLATE				1.00
17	11939204	TOP FEED DOG (M01)				1.00
18	11934551	PRESSER FOOT ASM.(L01)				1.00
19	SS7060310SP	SCREW 3/32-56 L=3		*		1.00
20	11931805	TAPE GUIDE PLATE		*		1.00
21	11927902	PRESSER FOOT		*		1.00
22	12176103	UPPER LOOPER				1.00
23	12123055	UPPER LOOPER GUIDE ASM.				1.00
24	11991601	UPPER LOOPER GUIDE COVER				1.00
25	11991809	GAUGE				1.00
26	12303103	MAIN SHAFT				1.00
27	MDC270B1400	NEEDLE DCX27 #14				2.00
28	MC033600900	NEEDLE B-27 NM90	FOR JE			2.00
29	MAQ141000A0	TAPE GUIDE ASM.				1.00
30	SS7091110TP	SCREW 9/64-40 L=10.5				1.00
31	WP0371016SD	WASHER 3.7X8X1				1.00

MOR-3900 SUBCLASSES (8)

MOR-3914-BD7-44H/L07/Q141
MOR-3914E-BD7-44H/L07/Q141



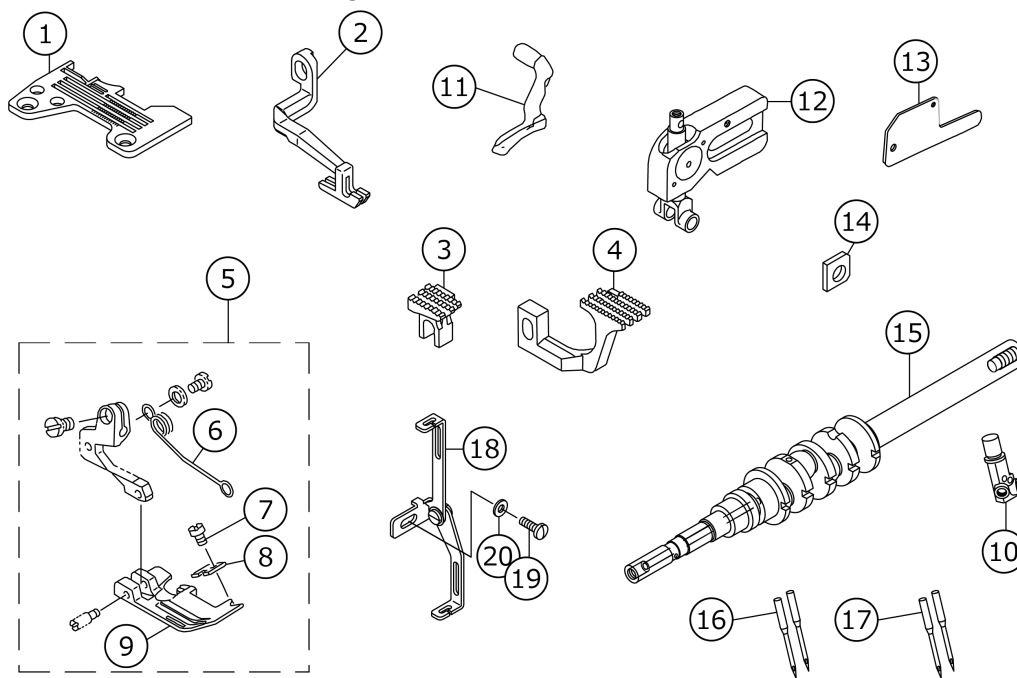
MOR-3914-BE7-44H/L07/Q141
MOR-3914E-BE7-44H/L07/Q141



No.	品番	品名	備考	子部品	消耗品	個数
1	R4405J0DE00	THROAT PLATE				1.00
2	11936911	TOP FEED DOG				1.00
3	11883501	MAIN FEED DOG				1.00
4	B1657814B0F	DIFFERENTIAL FEED DOG				1.00
5	11932563	PRESSER FOOT ASM.				1.00
6	11931003	PRESSER FOOT SPRING		*		1.00
7	SS7060310SP	SCREW 3/32-56 L=3		*		1.00
8	11931805	TAPE GUIDE PLATE		*		1.00
9	11926417	PRESSER FOOT		*		1.00
10	12176103	UPPER LOOPER				1.00
11	12123055	UPPER LOOPER GUIDE ASM.				1.00
12	11991601	UPPER LOOPER GUIDE COVER				1.00
13	11991809	GAUGE				1.00
14	12303103	MAIN SHAFT				1.00
15	MDC270B1400	NEEDLE DCX27 #14				2.00
16	MC033600900	NEEDLE B-27 NM90	FOR JE			2.00
17	MAQ141000A0	TAPE GUIDE ASM.				1.00
18	SS7091110TP	SCREW 9/64-40 L=10.5				1.00
19	WP0371016SD	WASHER 3.7X8X1				1.00
20	R4405J0EE00	THROAT PLATE				1.00
21	11936911	TOP FEED DOG				1.00
22	11883501	MAIN FEED DOG				1.00
23	B1657814B0F	DIFFERENTIAL FEED DOG				1.00
24	11932563	PRESSER FOOT ASM.				1.00
25	11931003	PRESSER FOOT SPRING		*		1.00
26	SS7060310SP	SCREW 3/32-56 L=3		*		1.00
27	11931805	TAPE GUIDE PLATE		*		1.00
28	11926417	PRESSER FOOT		*		1.00
29	12176103	UPPER LOOPER				1.00
30	12123055	UPPER LOOPER GUIDE ASM.				1.00
31	11991601	UPPER LOOPER GUIDE COVER				1.00
32	11991809	GAUGE				1.00
33	12303103	MAIN SHAFT				1.00
34	MDC270B1400	NEEDLE DCX27 #14				2.00
35	MC033600900	NEEDLE B-27 NM90	FOR JE			2.00
36	MAQ141000A0	TAPE GUIDE ASM.				1.00
37	SS7091110TP	SCREW 9/64-40 L=10.5				1.00
38	WP0371016SD	WASHER 3.7X8X1				1.00

MOR-3900 SUBCLASSES (9)

MOR-3914-CE7-44H/L07/Q141
MOR-3914E-CE7-44H/L07/Q141



No.	品番	品名	備考	子部品	消耗品	個数
1	R4406J0EE00	THROAT PLATE				1.00
2	11936911	TOP FEED DOG				1.00
3	11883501	MAIN FEED DOG				1.00
4	B1657814B0F	DIFFERENTIAL FEED DOG				1.00
5	11932563	PRESSER FOOT ASM.				1.00
6	11931003	PRESSER FOOT SPRING		*		1.00
7	SS7060310SP	SCREW 3/32-56 L=3		*		1.00
8	11931805	TAPE GUIDE PLATE		*		1.00
9	11926417	PRESSER FOOT		*		1.00
10	12149209	NEEDLE CLAMP, 2-NEEDLE				1.00
11	12176103	UPPER LOOPER				1.00
12	12123055	UPPER LOOPER GUIDE ASM.				1.00
13	11991601	UPPER LOOPER GUIDE COVER				1.00
14	11991809	GAUGE				1.00
15	12303103	MAIN SHAFT				1.00
16	MDC270B1400	NEEDLE DCX27 #14				2.00
17	MC033600900	NEEDLE B-27 NM90	FOR JE			2.00
18	MAQ141000A0	TAPE GUIDE ASM.				1.00
19	SS7091110TP	SCREW 9/64-40 L=10.5				1.00
20	WP0371016SD	WASHER 3.7X8X1				1.00

HOW TO MAKE USE OF THIS PARTS LIST

1.As to "#01" and "#02" refer to the "Note" given at the bottom of the respective pages.

2.Codes on the "Qty" column

- Each numeral indicates the number of parts required.
- "0.1" and "2.5" indicate the length (in meters) of the respective parts.

3.Parentheses mean that the corresponding part is a subpart that constructs an assembly part.

4.Dotted lines on the Figures indicate assembly parts.

1. リストページの# 0 1、# 0 2の印は、ページ下の"注記"の説明を参照下さい。
2. 数量欄の数字は、個数を表し、0. 1、2. 5等の数値は、長さ（単位メートル）を表します。
3. 数量欄の（ ）は、組部品を構成している子部品であることを意味します。
4. イラストページの-----枠は、組構成であることを意味します。